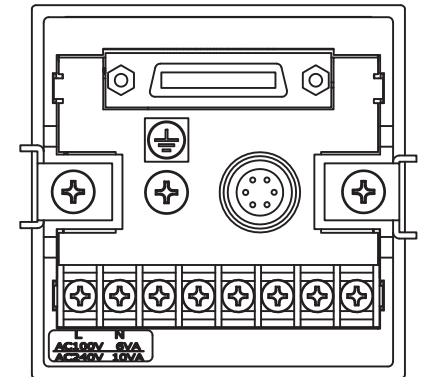
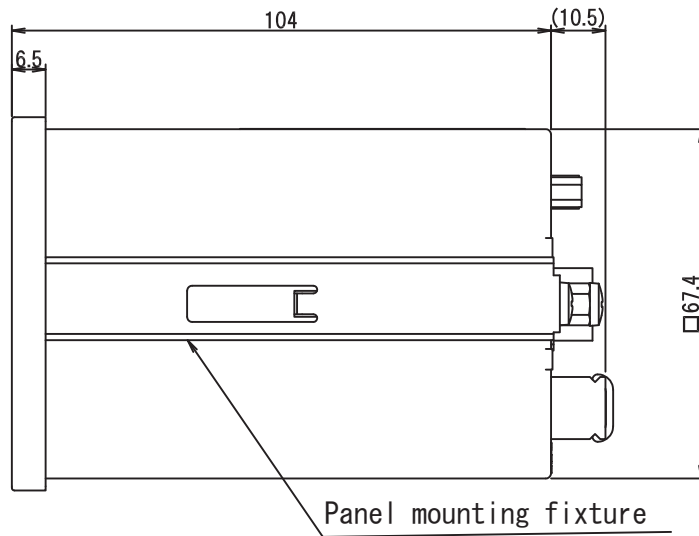
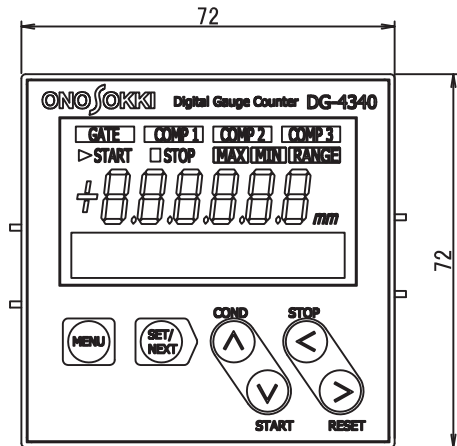
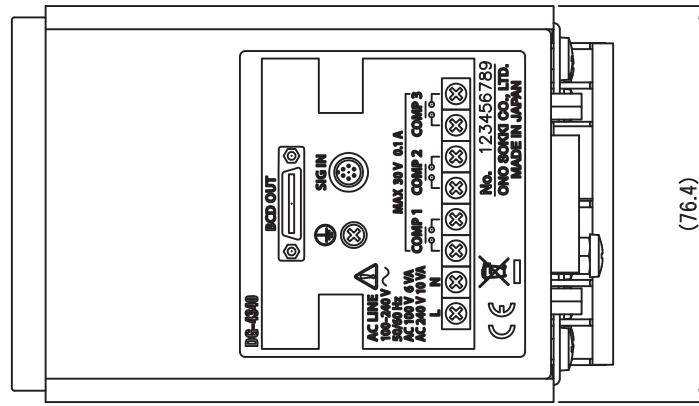


Panel-cut dimension



Weight: Approx. 320 g
Unit: mm

Note) The recommended thickness of mounting panel: 1 to 3.2 mm

DG-4340
ONOSOKKI